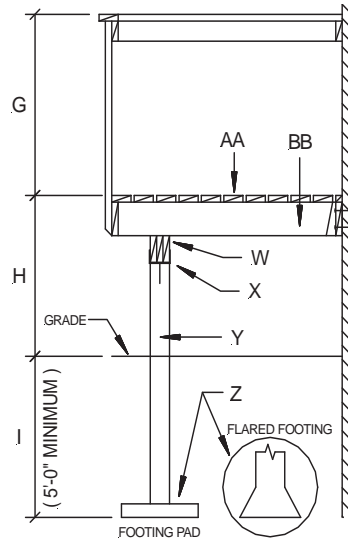
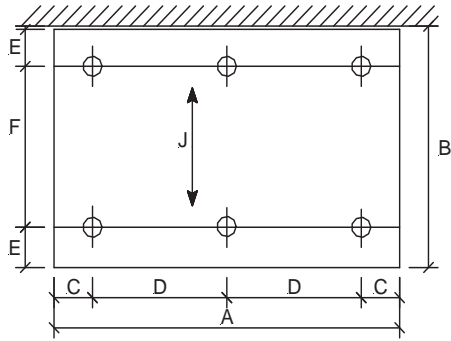


DRAWING A1

DECK ATTACHED TO HOUSE

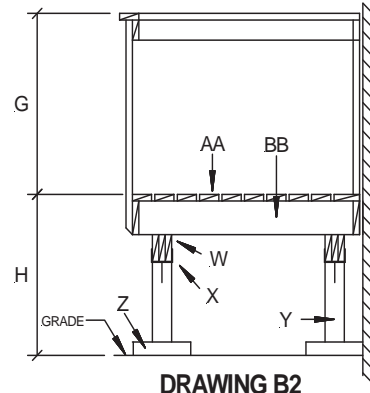


DRAWING A2

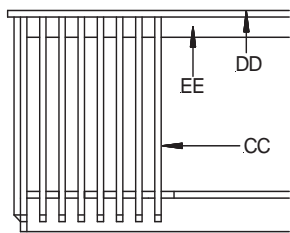


DRAWING B1

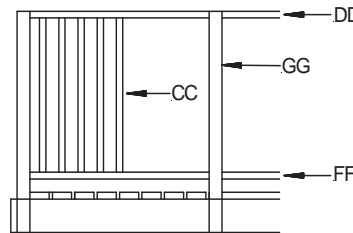
DECK NOT ATTACHED TO HOUSE



DRAWING B2



DRAWING C1 - CANTILEVERED PICKET



DRAWING C2 - POST AND RAIL

GUARD RAIL CONSTRUCTION - INDICATE TYPE

BUILDING INFORMATION (DIMENSIONS)

DRAWINGS A1,B1

- A. OVERALL WIDTH = _____
- B. OVERALL DEPTH = _____
- C. BEAM CANTILEVER = _____
- D. BEAM SPAN BETWEEN POSTS = _____
- E. JOIST CANTILEVER = _____
- F. JOIST SPAN BETWEEN BEAMS = _____

DRAWINGS A2,B2

- G. GUARDRAIL HEIGHT = _____
- H. DECK HEIGHT ABOVE GRADE = _____
- I. DEPTH BELOW GRADE = _____

CONSTRUCTION INFORMATION (MATERIAL)

DRAWINGS A2,B2

- W. BEAM: WOOD _____ - 2 x _____
- X. POST SADDLE OR _____
- Y. POST: _____" DIA. SONO TUBE OR _____" x _____" WOOD POST OR OTHER: DESCRIBE _____
- Z. FOOTING SIZE: CONCRETE PAD _____" W x _____" L x _____" D

- AA. DECKING: _____" x _____"
- BB. JOIST SIZE : 2" x _____ AT _____" ^o/_c (2" X 8" MINIMUM)

DRAWINGS C1,C2

- CC. PICKETS: _____" x _____" (4" MAXIMUM CLEAR OPENING)
- DD. TOP RAIL: _____" x _____"
- EE. SECONDARY RAIL: _____" x _____"

DRAWING C2

- FF. BOTTOM RAIL: _____" x _____"
- GG. POSTS: _____" x _____" AT _____" ^o/_c