

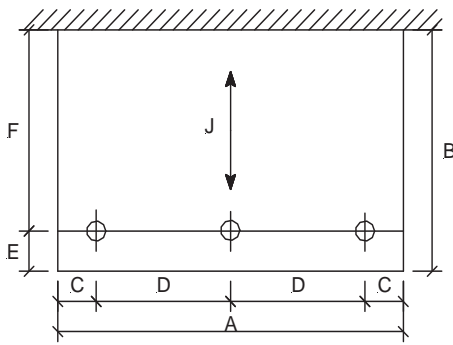
**Application for a Permit to Construct or Demolish**

This form is authorized under subsection 8(1.1) of the Building Code Act.

For use by Principal Authority			
Application number:		Permit number (if different):	
Date received:		Roll number:	
Application submitted to: _____ (Name of municipality, upper-tier municipality, board of health or conservation authority)			
A. Project information			
Building number, street name		Unit number	Lot/con.
Municipality	Postal code	Plan number/other description	
Project value est. \$		Area of work (m ²)	
B. Purpose of application			
<input type="checkbox"/> New construction <input type="checkbox"/> Addition to an existing building <input type="checkbox"/> Alteration/repair <input type="checkbox"/> Demolition <input type="checkbox"/> Conditional Permit			
Proposed use of building		Current use of building	
Description of proposed work			
C. Applicant			
Applicant is: <input type="checkbox"/> Owner or <input type="checkbox"/> Authorized agent of owner			
Last name		First name	Corporation or partnership
Street address		Unit number	Lot/con.
Municipality	Postal code	Province	E-mail
Telephone number ()	Fax ()	Cell number ()	
D. Owner (if different from applicant)			
Last name		First name	Corporation or partnership
Street address		Unit number	Lot/con.
Municipality	Postal code	Province	E-mail
Telephone number ()	Fax ()	Cell number ()	

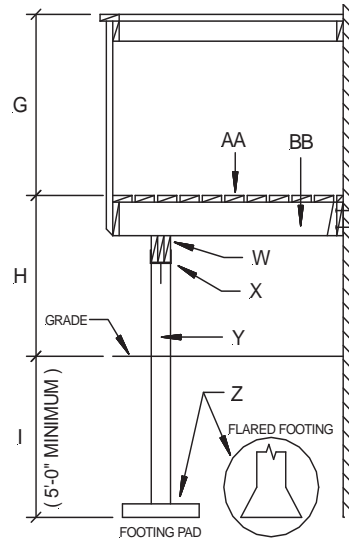
E. Builder (optional)				
Last name		First name	Corporation or partnership (if applicable)	
Street address			Unit number	Lot/con.
Municipality		Postal code	Province	E-mail
Telephone number ()		Fax ()		Cell number ()
F. Tarion Warranty Corporation (Ontario New Home Warranty Program)				
i. Is proposed construction for a new home as defined in the <i>Ontario New Home Warranties Plan Act</i> ? If no, go to section G.			<input type="checkbox"/> Yes	<input type="checkbox"/> No
ii. Is registration required under the <i>Ontario New Home Warranties Plan Act</i> ?			<input type="checkbox"/> Yes	<input type="checkbox"/> No
iii. If yes to (ii) provide registration number(s): _____				
G. Required Schedules				
i) Attach Schedule 1 for each individual who reviews and takes responsibility for design activities.				
ii) Attach Schedule 2 where application is to construct on-site, install or repair a sewage system.				
H. Completeness and compliance with applicable law				
i) This application meets all the requirements of clauses 1.3.1.3 (5) (a) to (d) of Division C of the Building Code (the application is made in the correct form and by the owner or authorized agent, all applicable fields have been completed on the application and required schedules, and all required schedules are submitted). Payment has been made of all fees that are required, under the applicable by-law, resolution or regulation made under clause 7(1)(c) of the <i>Building Code Act, 1992</i> , to be paid when the application is made.			<input type="checkbox"/> Yes	<input type="checkbox"/> No
ii) This application is accompanied by the plans and specifications prescribed by the applicable by-law, resolution or regulation made under clause 7(1)(b) of the <i>Building Code Act, 1992</i> .			<input type="checkbox"/> Yes	<input type="checkbox"/> No
iii) This application is accompanied by the information and documents prescribed by the applicable by-law, resolution or regulation made under clause 7(1)(b) of the <i>Building Code Act, 1992</i> which enable the chief building official to determine whether the proposed building, construction or demolition will contravene any applicable law.			<input type="checkbox"/> Yes	<input type="checkbox"/> No
iv) The proposed building, construction or demolition will not contravene any applicable law.			<input type="checkbox"/> Yes	<input type="checkbox"/> No
I. Declaration of applicant				
I _____ declare that:				
(print name)				
1. The information contained in this application, attached schedules, attached plans and specifications, and other attached documentation is true to the best of my knowledge.				
2. If the owner is a corporation or partnership, I have the authority to bind the corporation or partnership.				
_____		_____		
Date		Signature of applicant		

Personal information contained in this form and schedules is collected under the authority of subsection 8(1.1) of the *Building Code Act, 1992*, and will be used in the administration and enforcement of the *Building Code Act, 1992*. Questions about the collection of personal information may be addressed to: a) the Chief Building Official of the municipality or upper-tier municipality to which this application is being made, or, b) the inspector having the powers and duties of a chief building official in relation to sewage systems or plumbing for an upper-tier municipality, board of health or conservation authority to whom this application is made, or, c) Director, Building and Development Branch, Ministry of Municipal Affairs and Housing 777 Bay St., 2nd Floor. Toronto, M5G 2E5 (416) 585-6666.

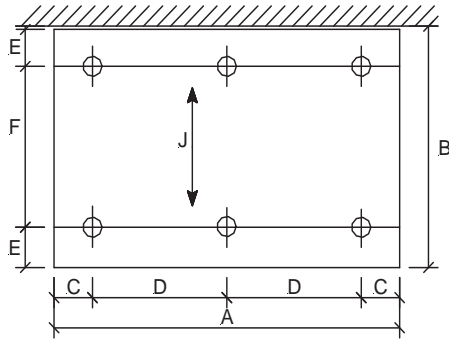


DRAWING A1

DECK ATTACHED TO HOUSE

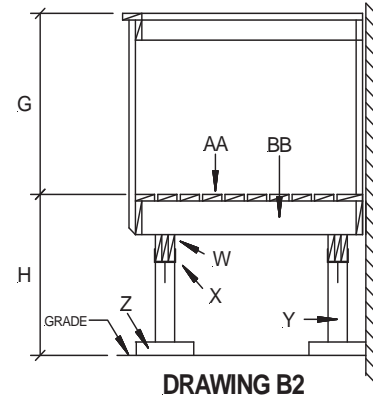


DRAWING A2

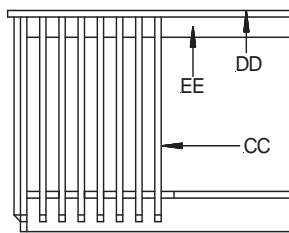


DRAWING B1

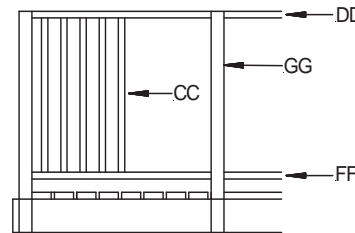
DECK NOT ATTACHED TO HOUSE



DRAWING B2



DRAWING C1 - CANTILEVERED PICKET



DRAWING C2 - POST AND RAIL

GUARD RAIL CONSTRUCTION - INDICATE TYPE

BUILDING INFORMATION (DIMENSIONS)

DRAWINGS A1,B1

- A. OVERALL WIDTH = _____
- B. OVERALL DEPTH = _____
- C. BEAM CANTILEVER = _____
- D. BEAM SPAN BETWEEN POSTS = _____
- E. JOIST CANTILEVER = _____
- F. JOIST SPAN BETWEEN BEAMS = _____

DRAWINGS A2,B2

- G. GUARDRAIL HEIGHT = _____
- H. DECK HEIGHT ABOVE GRADE = _____
- I. DEPTH BELOW GRADE = _____

CONSTRUCTION INFORMATION (MATERIAL)

DRAWINGS A2,B2

- W. BEAM: WOOD _____ - 2 x _____
- X. POST SADDLE OR _____
- Y. POST: _____ DIA. SONO TUBE OR _____ x _____ WOOD POST
- Z. FOOTING SIZE: CONCRETE PAD _____ W x _____ L x _____ D OR OTHER: DESCRIBE _____

- AA. DECKING: _____ x _____
- BB. JOIST SIZE : 2" x _____ AT _____ °/c (2" X 8" MINIMUM)

DRAWINGS C1,C2

- CC. PICKETS: _____ x _____ (4" MAXIMUM CLEAR OPENING)
- DD. TOP RAIL: _____ x _____
- EE. SECONDARY RAIL: _____ x _____

DRAWING C2

- FF. BOTTOM RAIL: _____ x _____
- GG. POSTS: _____ x _____ AT _____ °/c



ENCROACHMENT OF OVERHEAD AND UNDERGROUND ELECTRICAL POWER LINES

**You are not only responsible to call before you dig
to ensure you do not adversely affect buried utility cables,
BUT YOU MUST ALSO LOCATE YOUR BUILDING OR STRUCTURE TO MAINTAIN
MINIMUM CLEARANCES FROM OVERHEAD POWER & UNDERGROUND POWER LINES.**

THIS CAN AFFECT THE LOCATION OF YOUR BUILDING OR STRUCTURE

(This notice is attached to all building permit applications. It contains information important to your project planning)

The permit applicant has a responsibility to ensure that the structure resulting from the permit application does not encroach on required clearances to overhead and underground power cables. Failure to identify and avoid these encroachments has, in the past, resulted in physical injury and/or unexpected costs to the applicant/owner. Expect that your building or part thereof will have to be moved or removed at your expense, where proper clearances have not been adhered to.

Legislation that controls minimum clearances for structures being built near overhead or underground power lines includes the following:

**Ontario Electrical Safety Code
Section 75-312(3)**

Contact: **Electrical Safety Authority**
Phone# 1-877-372-7233

**Occupational Health & Safety Act
O. Regulation 213/91**

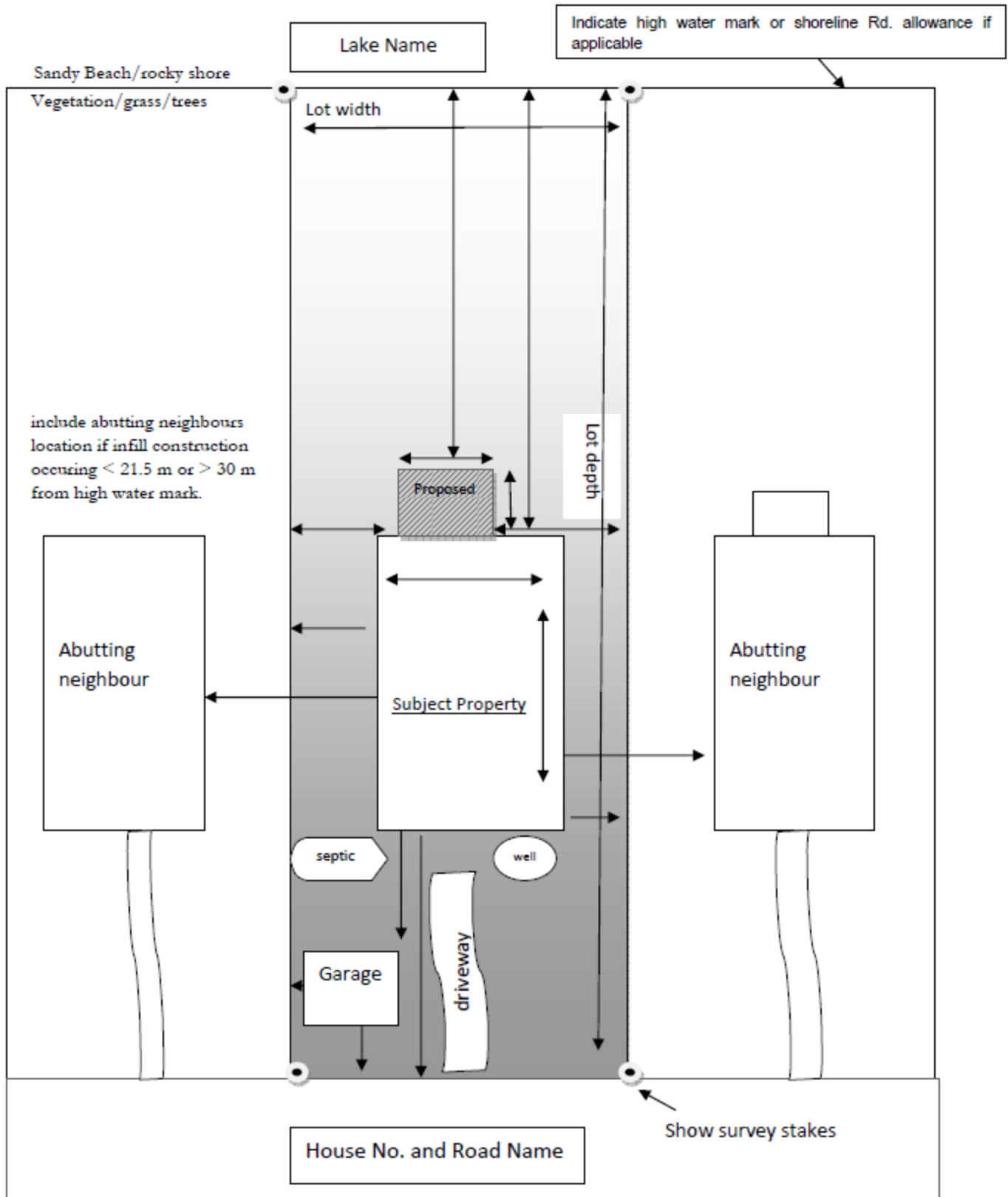
Contact: **Ministry of Labour**
Construction Inspection
Phone # 475-1691

Note: No buildings or structures may be built over top of any underground power line without express written consent from that authority.

New driveways into building lots can significantly reduce clearances to power and communication cables that were not originally designated for vehicles passing underneath.

You are hereby advised, by way of this notice, that **you are responsible to consult with the above mentioned authorities having jurisdiction in this matter and that you must maintain these minimum requirement clearances**, in addition to any setbacks and clearances which may otherwise be required by zoning and building code regulations.

Example Diagram :



- ✓ -Provide the property Legal description and include a survey if available. Indicate any iron markers or survey stakes on the diagram.
- ✓ -All relevant distances and property dimensions
- ✓ -Location and dimension of proposed construction and label as "proposed". Include all relevant information . ie. Overhangs, cornices, sills, windows, chimneys, hottubs, fences.. etc.
- ✓ -Location of all structures, garages, sheds, well, septic, decks, docks, etc. on the subject property
- ✓ -Abutting property information ie. location of main dwelling, wells, septic, decks, garages, shed etc.
- ✓ All adjacent roads , easments and right of ways, train tracks, rivers, paths, et.
- ✓ -Bushes, hedges, walkways and driveways
- ✓ -Include 3 dimensional drawings if applicable ie. Height of proposed construction, site lines and any other pertinent information.

Measurements must be legible. Exact measurements are required.

Please use metric and bracket imperial measurements if desired.



Agent Authorization Form

A. Project information		
Building number, street name	Unit number	Lot/con.
Municipality	Postal code	Plan number/other description

B. Authorization of Property Owner

The undersigned, being the registered property owner of the above noted property, hereby authorizes _____, to apply for a building permit on my behalf.

I request to be contacted, along with the applicant, regarding any changes or modifications to the application throughout the permit process. I confirm my contact information is included on the building permit application.

C. Declaration of Property Owner

I, _____ declare that:
(print name)

- The information contained in this application, attached schedules, attached plans and specifications, and other attached documentation is true to the best of my knowledge.
- If the owner is a corporation or partnership, I have the authority to bind the corporation or partnership.

Date: _____ Signature of Owner: _____

D. Authorization of Building Owner (if different from property owner)

The undersigned, being the registered building owner on the above noted property, hereby authorizes _____, to apply for a building permit on my behalf.

I request to be contacted, along with the applicant, regarding any changes or modifications to the application throughout the permit process. I confirm my contact information is:

Phone: _____ Email: _____

E. Declaration of Building Owner (if different from property owner)

I, _____ declare that:
(print name)

- The information contained in this application, attached schedules, attached plans and specifications, and other attached documentation is true to the best of my knowledge.
- If the owner is a corporation or partnership, I have the authority to bind the corporation or partnership.

Date: _____ Signature of Owner: _____